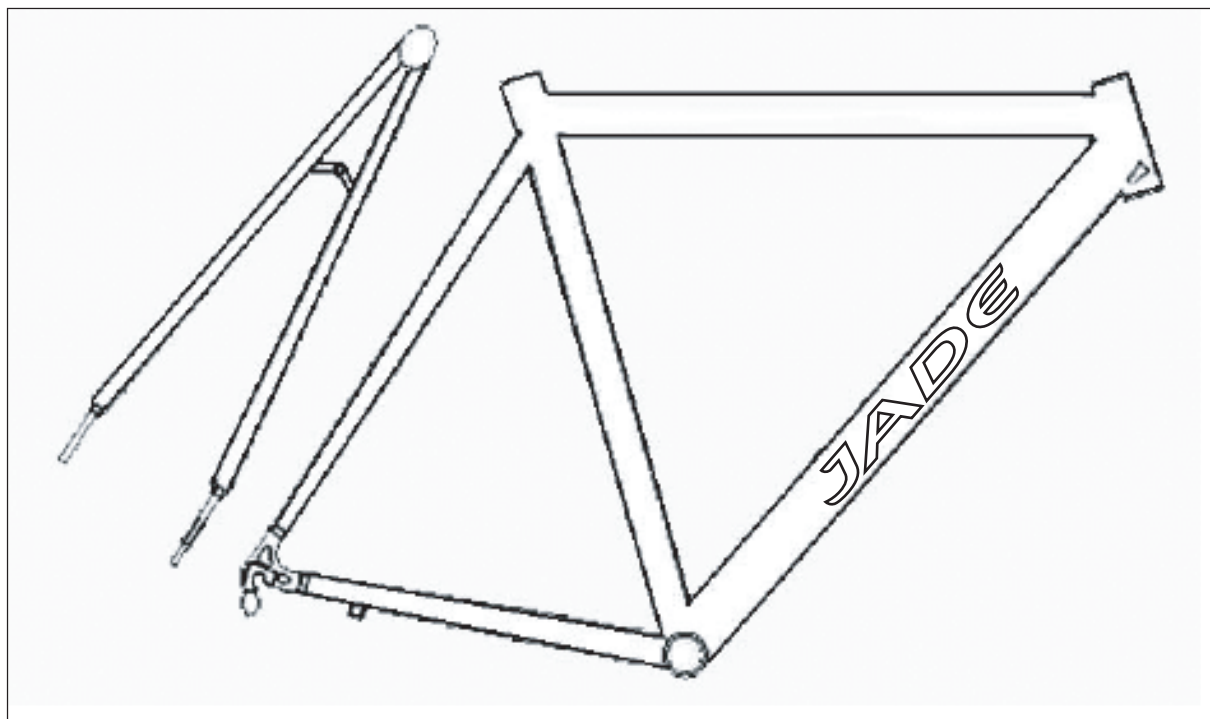


JADE CYCLES

JADE CYCLES | email: info@jadecycles.com | toll free: (888) 816 2200 | fax: (616) 748 9009 | www.jadecycles.com

Jade Cycles Team Palette™ – Custom & Team Color Schemes



Color Choice* #1

JADE Logo Color

Color Choice #2

Airbrush

Color Choice #3

Flames Fades Panels

Color Choice #4

*JADE Base Colors: 1) Anthracite, 2) Silver, 3) Electric Blue, 4) Apple Green, 5) Mango, 6) Race Orange, 7) White, 8) Midnight (Blue), 9) Race Red, 10) Yellow, 12) Cherry
Or use a Dupont Automotive Paint reference (e.g. Dupont Spectra Master Solids or Metallic).

Copyright © JADE Cycles 2002-2006. Actual colors and designs may vary slightly.

Name _____

Phone _____

Fax _____

Email _____

Team Name _____

Shop Name _____

We will contact you with any questions we may have.

Team Palette Directions

Individual Orders

- 1) Choose your frame material
- 2) Design your paint scheme
- 3) Please label the frame drawing. Please designate flames, fades or panels & any airbrush areas.
- 4) Fax your design to JADE (616) 748.9009

Team Orders

- 1) Choose your frame material – 4 Frame minimum, Any JADE frame combination
- 2) Design your paint scheme.
- 3) Please label the frame drawing. Please designate flames, fades or panels & any airbrush areas.
- 4) Fax your design to JADE (616) 748.9009